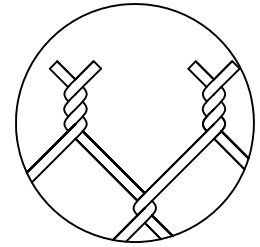
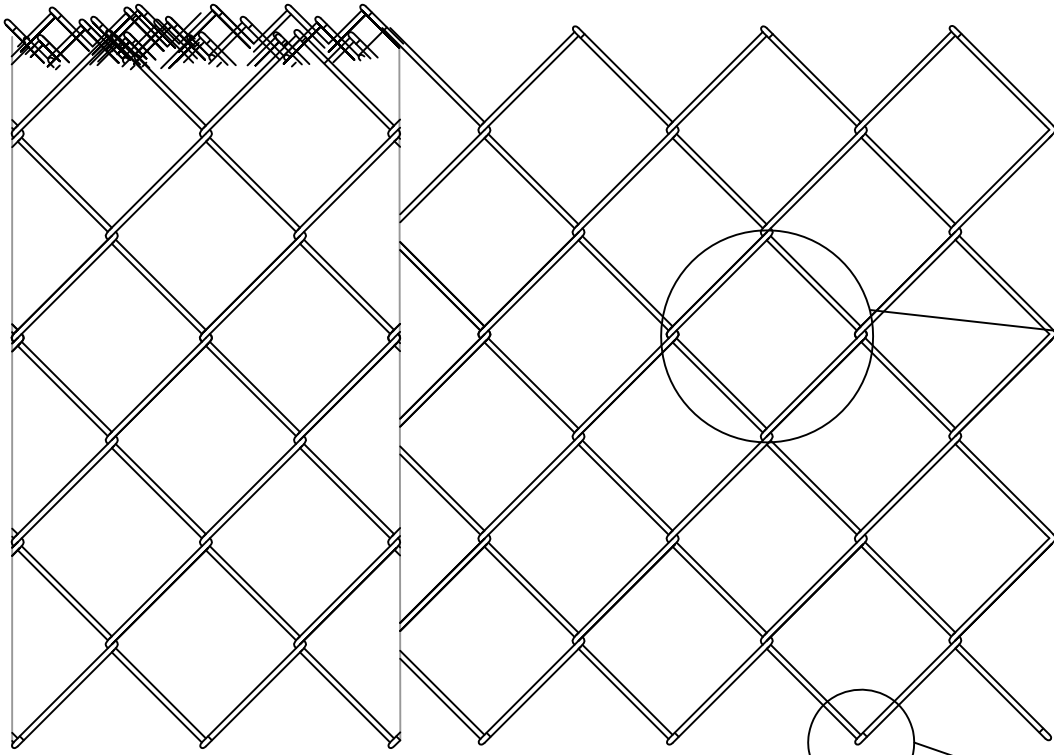
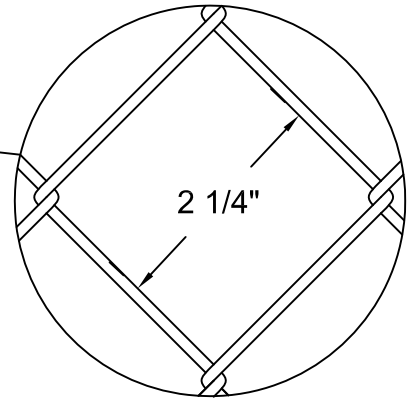


ROMA FENCE LTD.

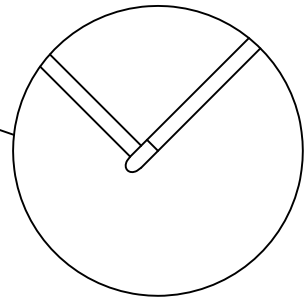
CHAIN LINK FENCE - VINYL COATED MESH - 2 1/4" x 11 GAUGE



Twisted Top Edge Option



2 1/4"



Style

Gauge

Finished Diameter

Weight Per Sqft

2 1/4" x 11 Gauge Vinyl

11 Gauge (0.080" Core)

0.120" ± 0.004"

≈ 0.240 lbs/Sqft



ROMA FENCE LTD.
10 HOLLAND DRIVE, BOLTON, ON L7E 1G6
WWW.ROMAFENCE.COM

