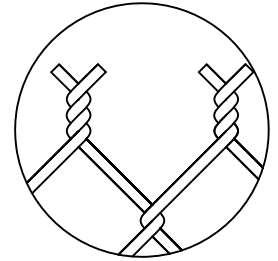
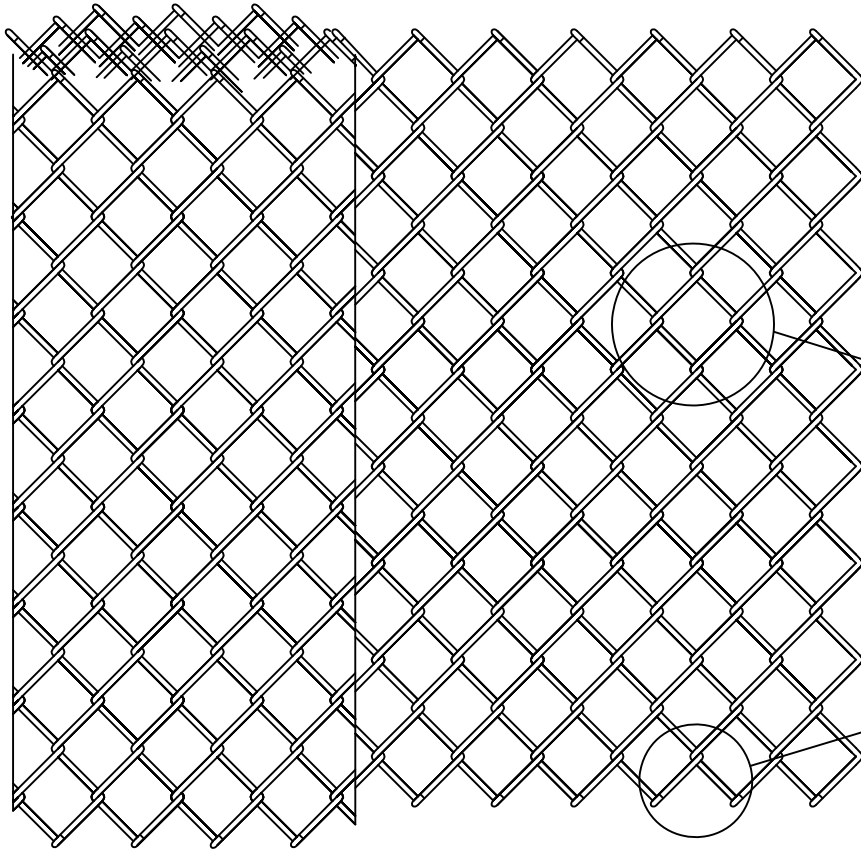
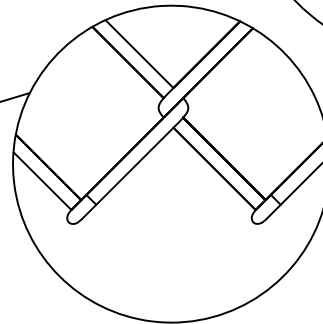
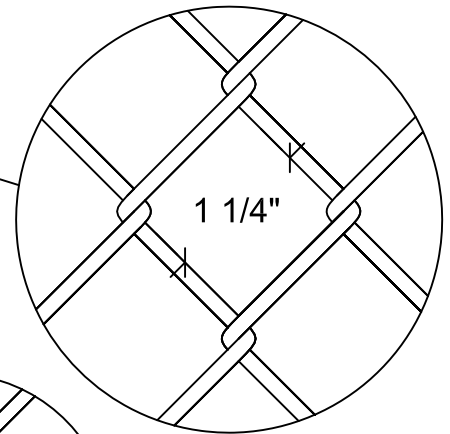


ROMA FENCE LTD.

GALVANIZED CHAIN LINK FENCE - MINI MESH - 1 1/4"



Twisted Top Edge Option



Style

Finished Diameter

Tensile Strength

Weight Per Sqft

1 1/4" x 11 Gauge*

0.109" ± 0.004"

75000 - 85000 psi

≈ 0.78 lbs/Sqft

1 1/4" x 9 Gauge*

0.138" ± 0.004"

75000 - 85000 psi

≈ 1.08 lbs/Sqft

* 1.2 oz Zinc Coating



ROMA FENCE LTD.
10 HOLLAND DRIVE, BOLTON, ON L7E 1G6
WWW.ROMAFENCE.COM

