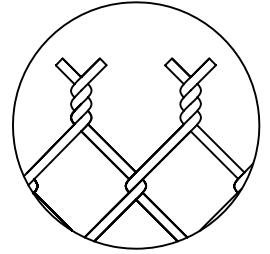
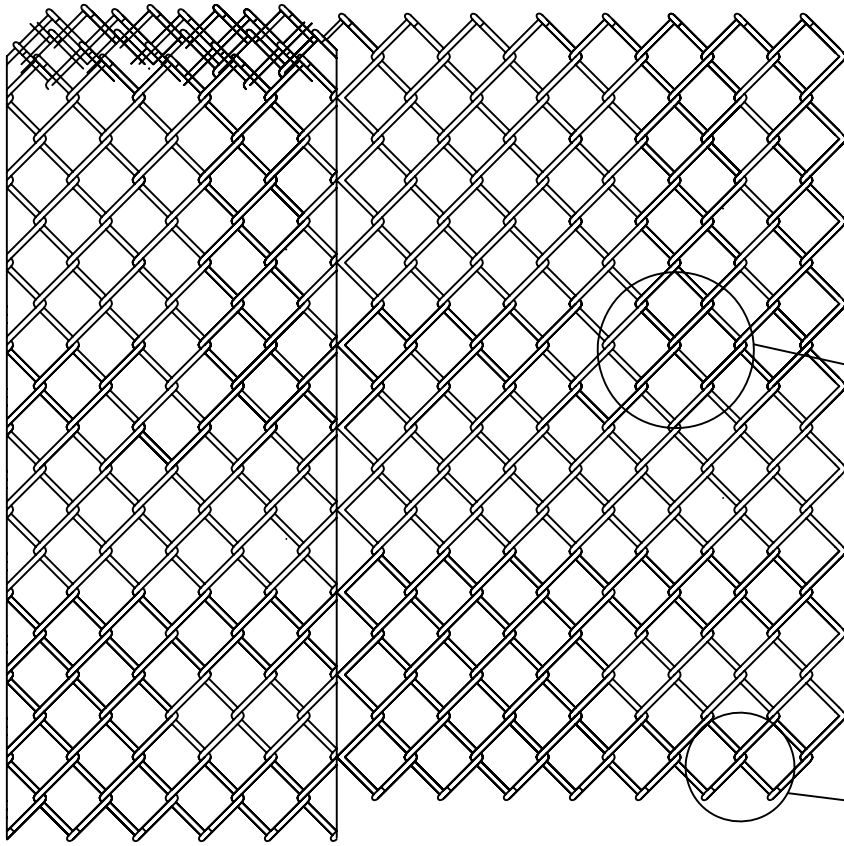
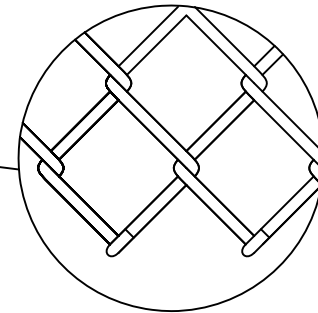
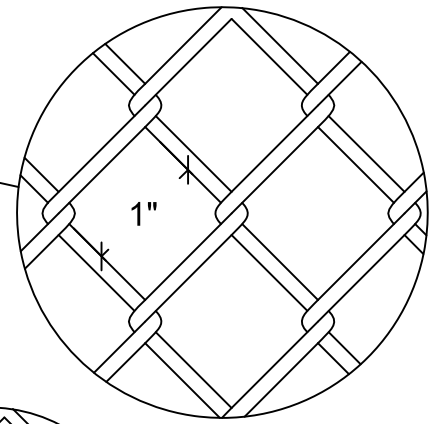


# ROMA FENCE LTD.

## GALVANIZED CHAIN LINK FENCE - MINI MESH - 1"



Twisted Top Edge Option



Style

Finished Diameter

Tensile Strength

Weight Per Sqft

1" x 11 Gauge\*

0.109" ± 0.004"

75000 - 85000 psi

≈ 1.030 lbs/Sqft

1" x 9 Gauge\*

0.138" ± 0.004"

75000 - 85000 psi

≈ 1.416 lbs/Sqft

\* 1.2 oz Zinc Coating



ROMA FENCE LTD.  
10 HOLLAND DRIVE, BOLTON, ON L7E 1G6  
WWW.ROMAFENCE.COM

