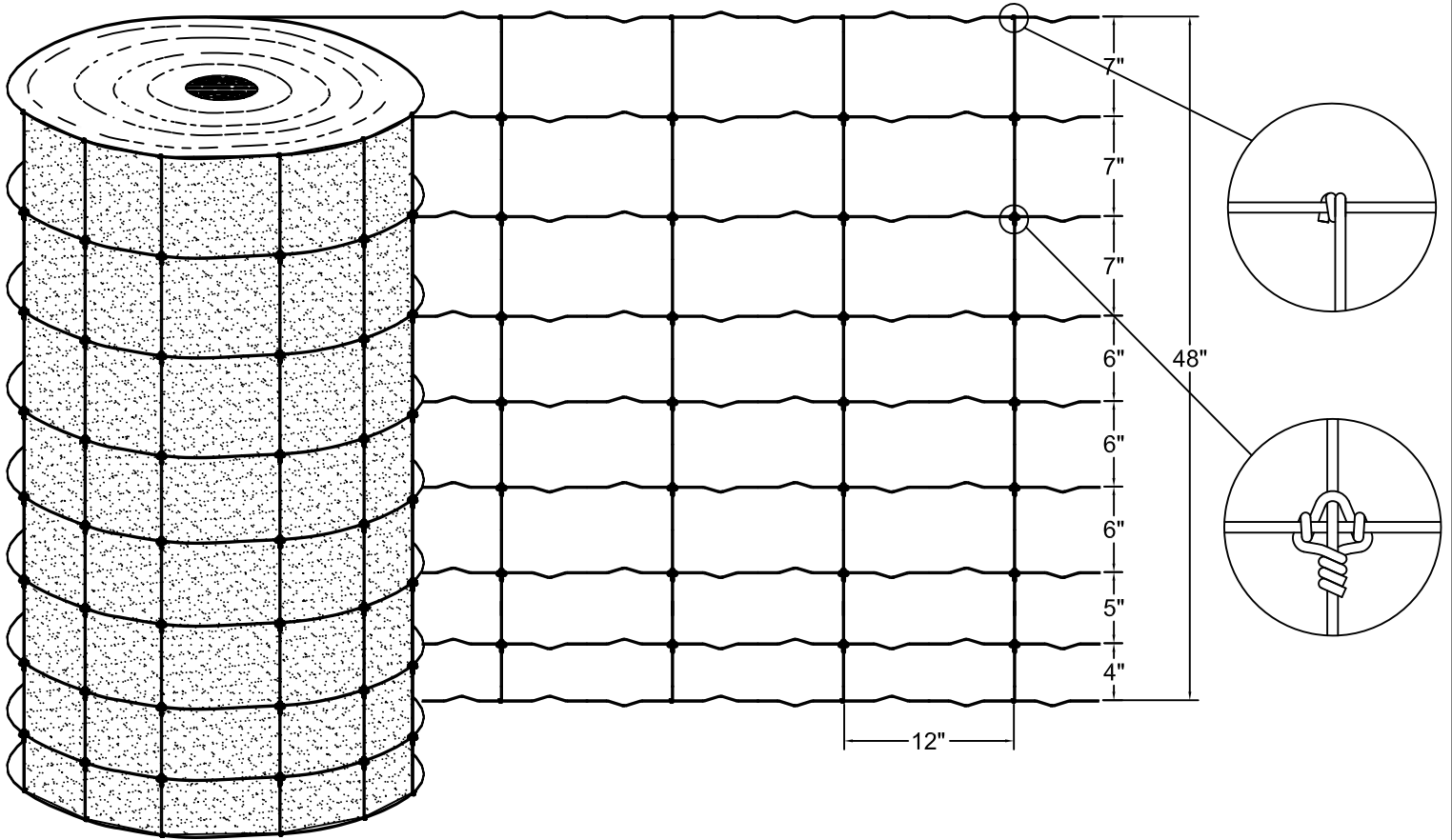




SURE-LOCK TIGHT-LOCK FENCE

948-12-9.75 CLASS 1



Style	Gauge	Tensile Strength Grade	Approx. Weight Per Roll	Stay Spacing	Strands	Height	Length
948-12-9.75 Class 1 - 20 Rod	9 3/4 (0.138"± 0.004")	75000-85000 psi	240 lbs	12"	9	48"	330"
948-12-9.75 Class 1 - 40 Rod	9 3/4 (0.138"± 0.004")	75000-85000 psi	480 lbs	12"	9	48"	660"

