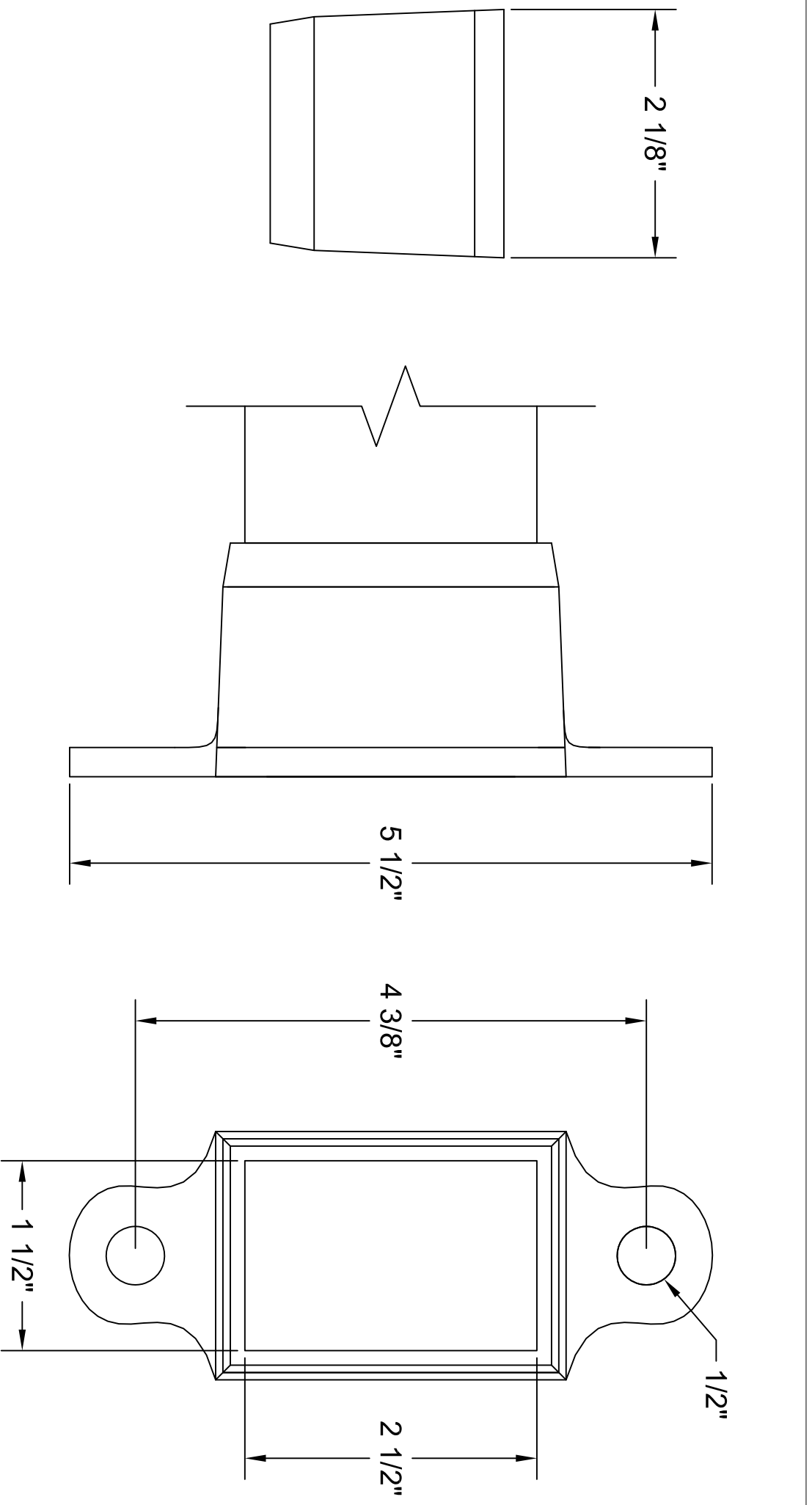


1 1/2" X 2 1/2" WALL BRACKET



10 Holland Drive
Bolton, ON L7E 1G6
www.romafence.com

