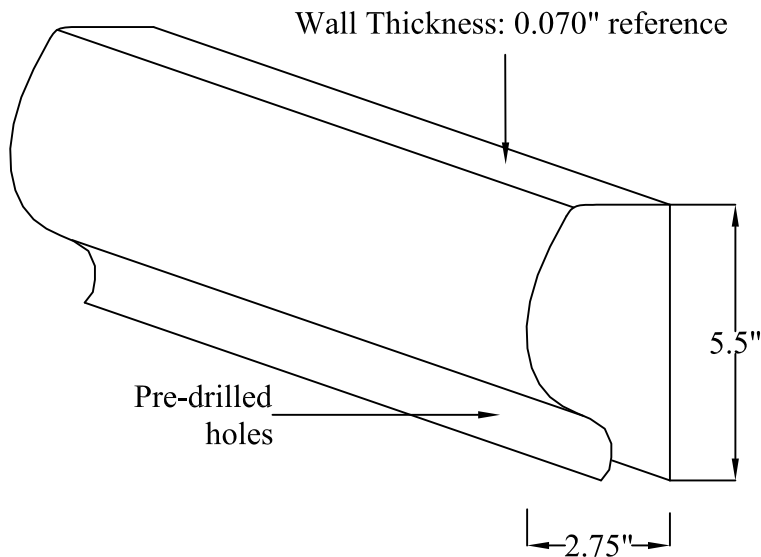


Safety Top Cap Specifications



Cap Height	Cap Width	Cap Length	Cap Per Bag	Approx. Coverage Per Box	Hog Rings Per Bag
5 1/2"	2 3/4"	8'	5	40 liner feet	15

Materials

The Safety Top Cap product is extruded from High Density Polyethylene (HDPE). colour pigments and ultra violet (UV) inhibitors, specifically designed to retard the harmful effects of the sun and lengthen the life of the product.

Durability

This product is designed to endure high impact, to resist the harmful effects of the the sun, and to withstand severe weather conditions, salt water, sand, road dirt, most acids, alcohol, alkaline, ammonia, petroleum distillates, and common environmental pollutants.

Maintenance

Pressure cleaning of surface contaminates is quickly accomplished with plain water.

Installation

Simply "snap" over the top of the fence and lock to the wire mesh with steel hog-rings (included with each package) through the (3) three pre-drilled holes on each piece.

HDPE Technical Properties

Property	Value
Melt Index	(.6) A low melt index indicates improved stress and crack resistance.
Density	(.957) Polyethylene ranges anywhere from .914 to .960 in density. A higher density yields maximum stiffness without becoming overlybrittle.
Minimum Temp.	(-76F) Polyethylene stays flexible even at this temperature extreme.
Maximum Temp.	(250F) Polyethylene does not distort until reaching this temperature.
Tensile Strength	(3.700 psi) Material will not suffer distortion at lesser loads or impacts.